

PV-ezRack SolarTripod

The Universal Flat Roof Mounting System

The Cleenergy PV-ezRack SolarTripod is specially designed for easy installation of solar panels on flat roofs and surfaces. The triangular design provides a strong and sturdy support for solar panels. Panels are set to a fixed angle with either a single or a double row of panels (portrait or landscape).

One advantage of the Cleenergy SolarTripod is the pre-assembled brackets, which reduce the time and labour costs of installation. The SolarTripod is perfect for setting PV panels at a fixed angle on flat roofs.



Specifications

Installation Site:	Flat roof or ground
System Tilt Angle:	10 - 40°
Max. Building Height:	Up to 20m (66feet)
Wind Load:	32m/s (72mph)
Snow Load:	0.42kN/m ² (0.06PSI)
Applicable Module:	Framed
Module Orientation:	Portrait or Landscape
Rail Material:	(Anodised) Aluminium AL6005-T5
Standards:	AS/NZS 1170
Warranty:	10 years*

Key Benefits

Easy Installation

Highly engineered components eliminate the need for onsite cutting or welding, it only takes one day for three workers to install a 5kW project.

Good Flexibility

SolarTripod provides two solutions, a single row of panels in portrait orientation, or two rows in landscape or portrait.

Good Compatibility

Designed as a universal mounting system, PV-ezRack SolarTripod is compatible with most of the major framed PV modules on the market.

High Quality

Strict quality control over materials and finished products ensure optimum strength and long life for you installation.

10-Year Warranty

Cleenergy provides a 10 year product warranty for your peace of mind.

Key Components



Single Tripod

The singleTripod is preassembled, this saves time at the construction site during installation.



T Rail 50

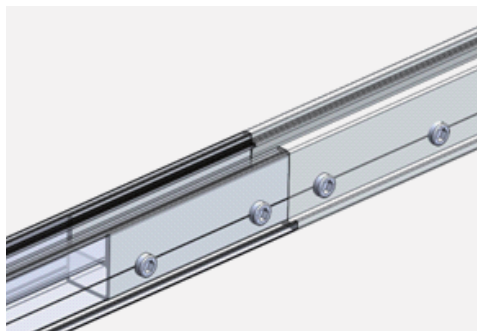
The T Rail 50 has been designed to be strong and reliable. By using the Clenergy Z-module you will also save time on site.



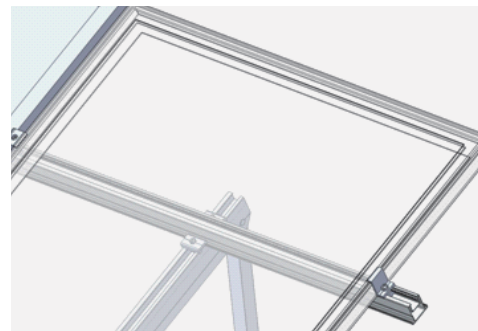
Splice for T Rail 50

The splice makes it easy to extend the rails. Two rails can be easily attached together without cutting any rails on site.

Assembly Illustration



The Splice for T Rail 50 makes it easy to connect two rails.



The rails are fixed by T Rail Clamp, which contains Clenergy's patented Z-module.

Distributor Contact: